



**DC TERMINAL FUNCTION**

PIN	LATCHING				NORMALLY OPEN				NORMALLY OPEN - FAILSAFE TO POSITION 1						
	D	D w/ TTL	E	E w/ TTL	J	K	J, K w/ TTL	G	H	G, H w/ TTL	N	R	N, R w/ TTL	S	S w/ TTL
1	NOTE #1	NOTE #1	NOTE #1	NOTE #1	N/A	N/A	N/A	N/A	N/A	N/A	N/A	N/A	N/A	N/A	N/A
2	COM+/-	+A	COM+/-	+A	COM+/-	COM	+A	COM+/-	COM	+A	COM	COM+/-	+A	COM+/-	+A
3	1-/+	-B	1-/+	-B	1-/+	1	-B	1-/+	1	-B	2	2-/+	-B	2-/+	-B
4	2-/+	1	2-/+	1	2-/+	2	1	2-/+	2	1	3	3-/+	2	3-/+	2
5	3-/+	2	3-/+	2	3-/+	3	2	3-/+	3	2	4	4-/+	3	4-/+	3
6	4-/+	3	4-/+	3	4-/+	4	3	4-/+	4	3	5	5-/+	4	5-/+	4
7	5-/+	4	5-/+	4	5-/+	5	4	5-/+	5	4	6	6-/+	5	6-/+	5
8	6-/+	5	6-/+	5	6-/+	6	5	6-/+	6	5	N/A	N/A	6	N/A	6
9	N/A	6	N/A	6	N/A	N/A	6	N/A	N/A	6	N/A	N/A	N/A	N/A	N/A
A	N/A	N/A	COM	COM	N/A	N/A	N/A	COM	COM	COM	N/A	N/A	N/A	COM	COM
B	N/A	N/A	1	1	N/A	N/A	N/A	1	1	1	N/A	N/A	N/A	1	1
C	N/A	N/A	2	2	N/A	N/A	N/A	2	2	2	N/A	N/A	N/A	2	2
D	N/A	N/A	3	3	N/A	N/A	N/A	3	3	3	N/A	N/A	N/A	3	3
E	N/A	N/A	4	4	N/A	N/A	N/A	4	4	4	N/A	N/A	N/A	4	4
F	N/A	N/A	5	5	N/A	N/A	N/A	5	5	5	N/A	N/A	N/A	5	5
G	N/A	N/A	6	6	N/A	N/A	N/A	6	6	6	N/A	N/A	N/A	6	6

NOTE#1: RESET IF (R) OPTION IS SELECTED, OTHERWISE N/A

**SCHEMATICS**

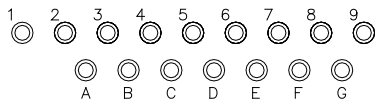
Pages 139-143

FIG.	25	26	25	26	29	29	30	29	29	30	33	33	34	33	34
------	----	----	----	----	----	----	----	----	----	----	----	----	----	----	----

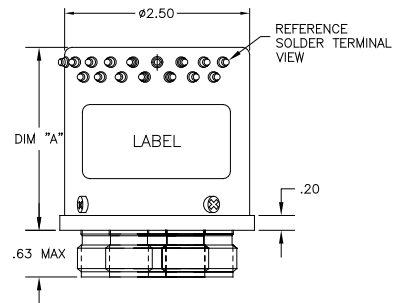
**OUTLINE DRAWING DIMENSION "A"**

2.47"	3.20"	2.47"	3.20"	1.97"	1.97"	2.88"	2.47"	2.47"	3.20"	1.97"	1.97"	2.88"	2.47"	3.20"
-------	-------	-------	-------	-------	-------	-------	-------	-------	-------	-------	-------	-------	-------	-------

**DC TERMINAL VIEW**



**FRONT VIEW**



**BOTTOM VIEW**

